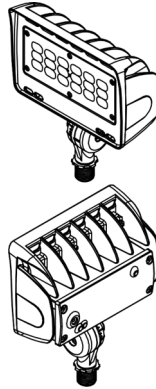


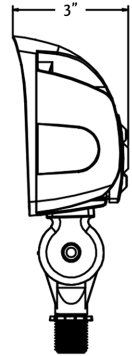
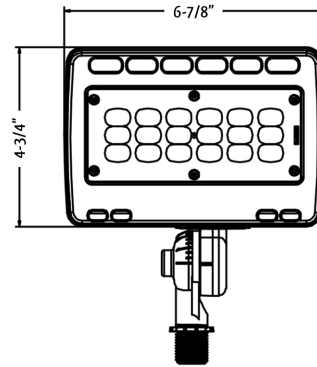


**LF4-30W-50K-D-KN**  
**LF4-30W-30K-D-KN**



**DIMENSIONS:**

4-3/4"(H) x 6-7/8"(W) x 3"(D)



**LF4 ARCHITECTURAL SERIES LED FLOOD LIGHT  
WITH ADJUSTABLE KNUCKLE**

MODEL	WATTS	VOLTAGE	LUMENS	COLOR TEMP
LF4-30W-50K-D-KN	30W	120~277V AC	4050LM	5000K
LF4-30W-30K-D-KN	30W	120~277V AC	4050LM	3000K

Ideal for general site lighting, alleys, loading docks, doorway, pathway and parking areas. Great for use with motion sensors and other instant on/off controls.

**ELECTRICAL SPECIFICATIONS:**

- Voltage: 120-277VAC 50/60Hz
- Wattage: 30W
- Input current: 0.38A Max
- Other wattages: 12W, 50W
- Power factor: >0.95
- Efficacy: 135LM/W

**LIGHTING SPECIFICATIONS:**

- Dimmable: 0-10V Dimming
- LED type/brand: Philips Lumileds LEDs / SMD 3030
- Total lumens: 4050LM
- Color temperature: 3000K/5000K
- Color rendering index: >82
- Beam angle: 90° x 120°

**WARRANTY: 5 years**

**HOUSING SPECIFICATIONS:**

- Die-cast aluminum with powder coat finish (Dark Bronze)
- Operating temperature: -40°F ~ 104°F
- Lifespan: 70000 Hrs.
- IP rating: IP65, Wet Locations
- High light transmittance, anti-UV & fire resistant PC lens

**CERTIFICATIONS: UL, DLC**

